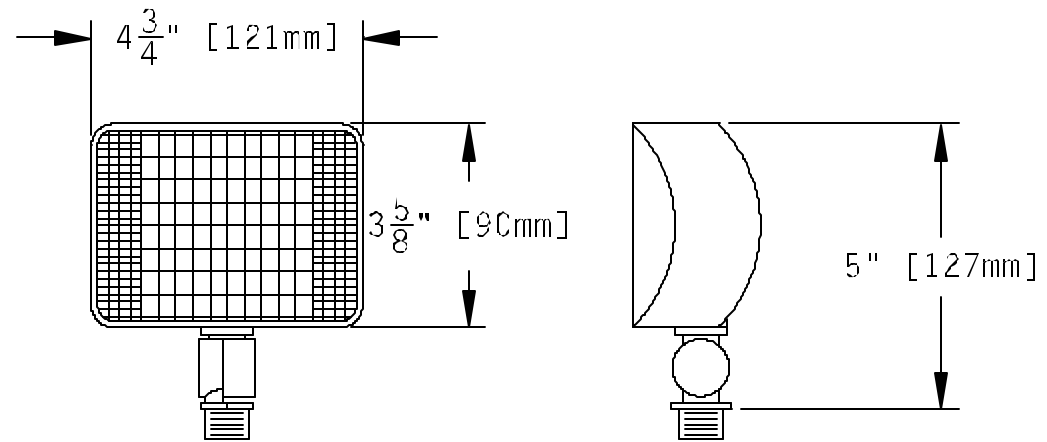




5 Wisconsin Ave.
Norwich, CT 06360
Tel. (860) 887-4550
Fax (860) 887-4534
www.lamphead.com (Products)
www.nutron-mfg.com (Company)

5500 Series Non-Metallic Rectangle Lamphead



Construction: Steel bezel and Gimbal Assembly

Standard Colors: Powder coated White / Black (Custom colors available consult factory for details)

Lamping:

6,12 v Wedge Base

Up To 18 Watts Depending on Voltage